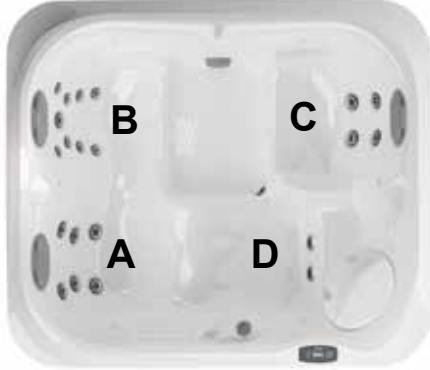


# Jacuzzi J-215

## Specifications

<b>Seating Capacity</b> .....	2-3 Adults	
<b>Dimensions</b> .....	69" x 80" x 33" (176 cm x 204 cm x 84 cm); <b>For Complete Dimensions, See page 76</b>	
<b>Dry Weight</b> .....	517 lbs (235 kg)	
<b>Filled Weight (Average Fill)</b> .....	2,352 lbs (1,067 kg)	
<b>Water Capacity (Average Fill)</b> ...	220 US gallons (833 Liters)	
<b>Electronic Controls</b> .....	Solid state electronic controls with LED readout, programmable temperature, filtration, and heat cycles	
<b>Pump 1</b> .....	North America (60 Hz): 2-Speed, 2.5 HP brake, 1.5 HP continuous, 48 Frame	
<b>Export (50 Hz):</b> .....	<b>2-Speed, 2.0 HP continuous on the completes</b>	
<b>Circulation Pump</b> .....	No	
<b>Total Jets</b> .....	21	
<b>Seat A Jets</b> .....	6 SLR Rotational	
<b>Seat B Jets</b> .....	1 SLR Rotational, 8 SL Directional	
<b>Seat C Jets</b> .....	4 SL3R Rotational	
<b>Footwell (D) Jets</b> .....	2 SLR Rotational	
<b>Massage Selectors</b> .....	None	
<b>Air Controls</b> .....	1	
<b>Water Management System</b> .....	One 50 ft <sup>2</sup> filter cartridge on jets pump 1, ClearRay Active Oxygen® System	
<b>Export (50 Hz):</b> .....	<b>ClearRay Active Oxygen® System</b>	
<b>LED Lighting</b> .....	LED Lighting System (Interior Surround); Standard Exterior Light	
<b>Cabinet Colors</b> .....	Horizon Gray, Pecan	
<b>Acrylic Colors</b> .....	Platinum, Silver Pearl, Morning Mist, Midnight, Canyon, Monaco (while quantities last)	
<b>Headrests</b> .....	3	
<b>Heater:</b> .....	North America (60 Hz): 120V 1kW or 240V 4.0 kW, High Flow	
<b>Export (50 Hz):</b> .....	<b>High Flow, 2.7 kW</b>	
<b>Electrical Requirements:</b> .....	North America (60 Hz): 120V@15A (GFCI cord) 240 VAC@30A or 40A <b>Export (50 Hz): 220-240 VAC@1x16A, 1x32A or 2 out of 3-phase (see manual) or suitably rated circuit breaker to comply with local electrical codes. Certain countries may require dual power inputs; two GFCI RCD breakers are required for this configuration.</b>	
<b>Warranty*</b> .....	North America (60 Hz): 5 Years Shell, 3 Years Shell Surface, 3 Years Plumbing Component Leaks, 3 Years Equipment and Controls; 1 Year Cabinet, 1 Year Jets <b>Export (50 Hz): 5 Years Shell, 3 Years Shell Surface, 3 Years Plumbing Component Leaks, 3 Years Equipment and Controls, 1 Year Cabinet, 1 Year Jets</b>	
<b>Special Features (Optional)</b> .....	SmartTub® Module	
<b>Audio System (Optional)</b> .....	N/A	

\*(See Warranty Document for Specific Details)

Dimensions/Specifications are Subject to Change Without Notice

# Jacuzzi J-215

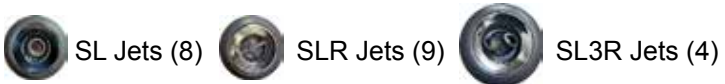
## Operation/Seat Depths



**Air Control 1:**  
Opens/Closes  
Air Inlet to Jets A

Jets are always on  
when the Jets Pump 1  
is running.

### 21 Total Jets



Spa Operation Subject to Change without Notice

## Seat Depths

**A = 25.13" (63.82 cm)**

**D = 18.00" (45.72 cm)**

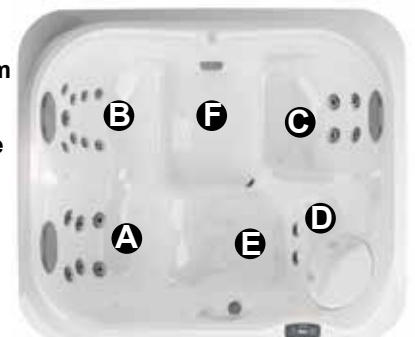
**B = 26.00" (66.04 cm)**

**E = 25.75" (65.41 cm)**

**C = 23.50" (59.69 cm)**

**F = 27.63" (70.17 cm)**

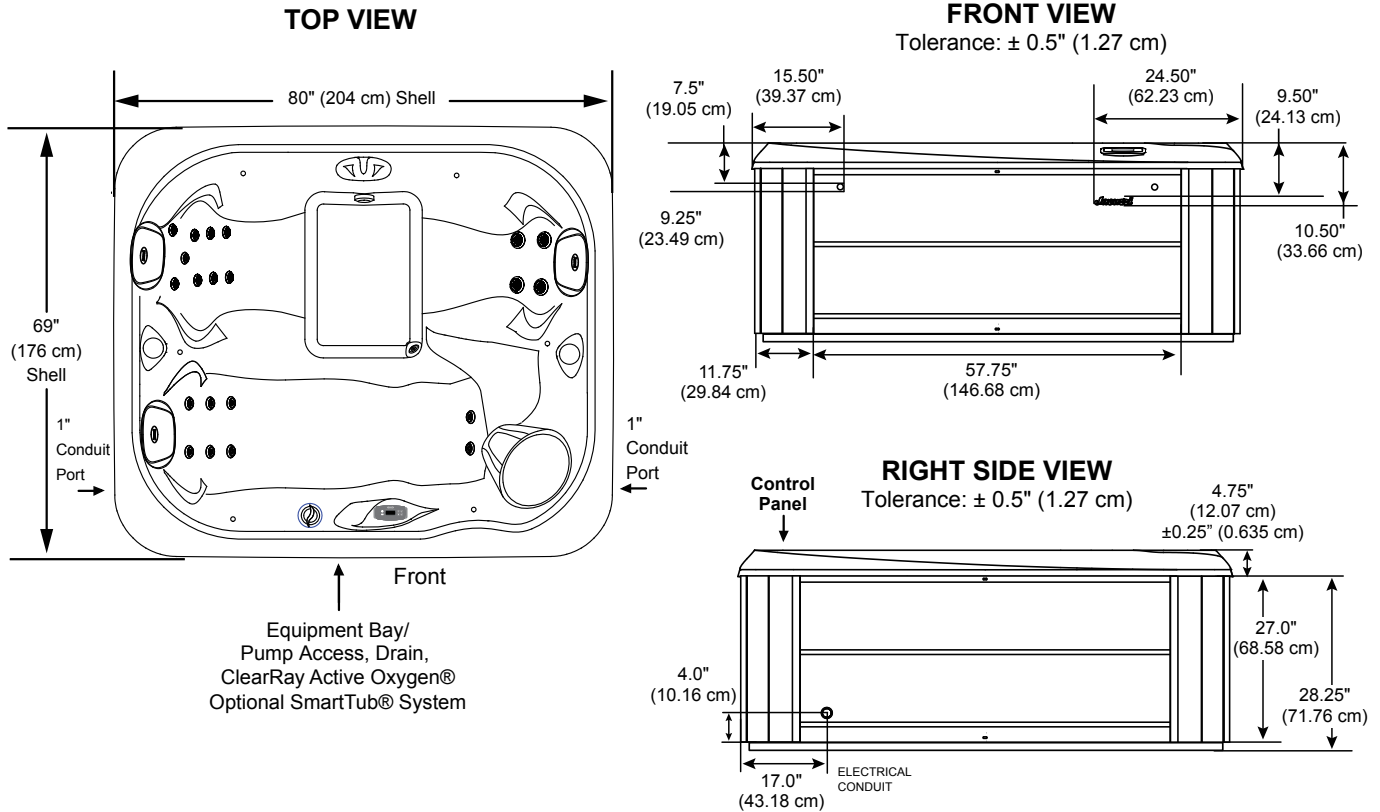
Listed dimensions  
represent distance from  
top of acrylic to lowest  
point in seat. Tolerance  
 $\pm 0.5"$  (1.27 cm).



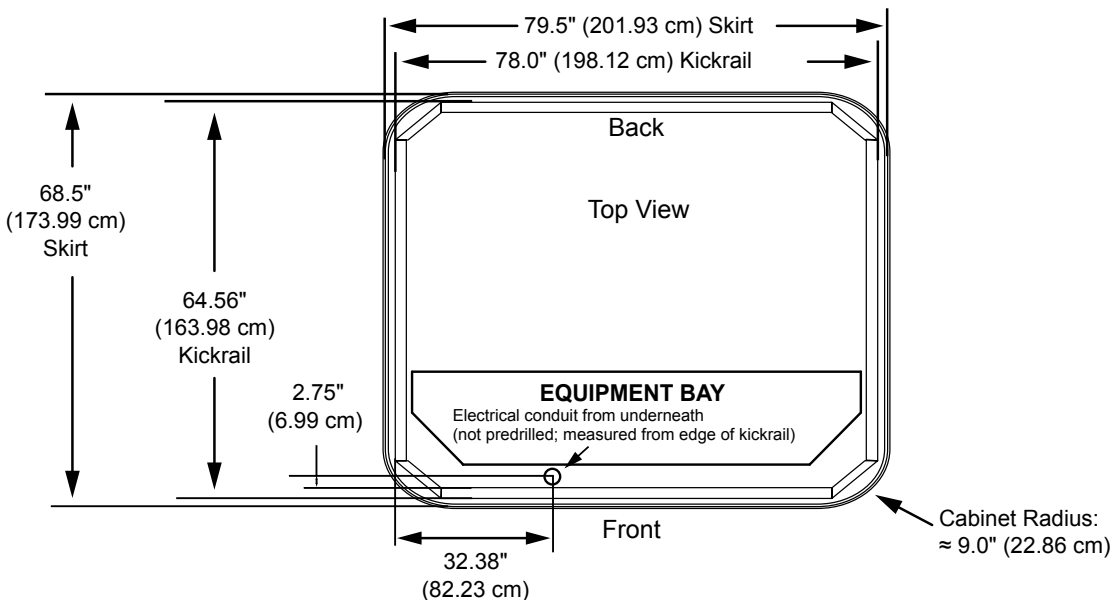
Dimensions/Specifications are Subject to Change Without Notice

# Jacuzzi J-215

## Dimensions



**STOP** **IMPORTANT! Always measure each hot tub for exact dimensions BEFORE designing its foundational support and/or decking.** **STOP**



Dimensions/specifications subject to change without notice. Tolerance: ± 0.5" (1.27 cm)

Dimensions/specifications subject to change without notice. Tolerance ±0.5" (1.27 cm)